



Product Code

MD56AR



Technical Description

Wall lighting, now sorted

- A shoplighting superstar designed for retail applications, providing a smooth distribution of light from ceiling to floor
- Improved efficacy (up to 146lm/W at CRI90) our new Mondolux HE+ chip*
- Available in standard, high-output HE+ and full-spectrum high-CRI ComfoLED versions
- Higher spatial flexibility with vertical tilt up to 60°
- Available in 13W, 19W, 27W, 36W, 43W
- Asymmetric beam angle of 90°x75°
- Padua 900mA approved under VEU and IPART
- If you require a customised version of this product, please [contact us](#)

Electrical Specifications

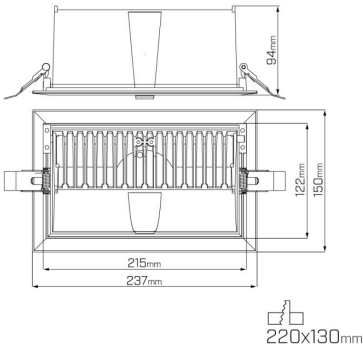
System Power	13W, 19W, 27W, 36W, 43W
Input Voltage	240V
Control Type	ON/OFF, Phase-Cut, 0-10V, DALI, Casambi, DMX
System Efficacy (max.)	146lm/W
Power Factor	> 0.9

Physical Characteristics

Installation Method	Fixed Recessed
Trim Finish	White, Black
IP Rating / IK Rating	IP20
Weight	1Kgs
Fitting Material	Aluminium

Photometric Info

Luminaire Lumens	1200lm, 1750lm, 2300lm, 2765lm, 2900lm, 3200lm, 3780lm, 4840lm
CRI	CRI90, CRI97+
CCT	3000K, 3000K ComfoLED, 3000K HE+, 3500K, 3500K HE+, 4000K, 4000K ComfoLED, 4000K HE+
Beam Angle	90°x75°
Lumen Maintenance	> 65,000hrs (L70B10)
MacAdam Step	3 Step



Polar Distribution Diagrams

